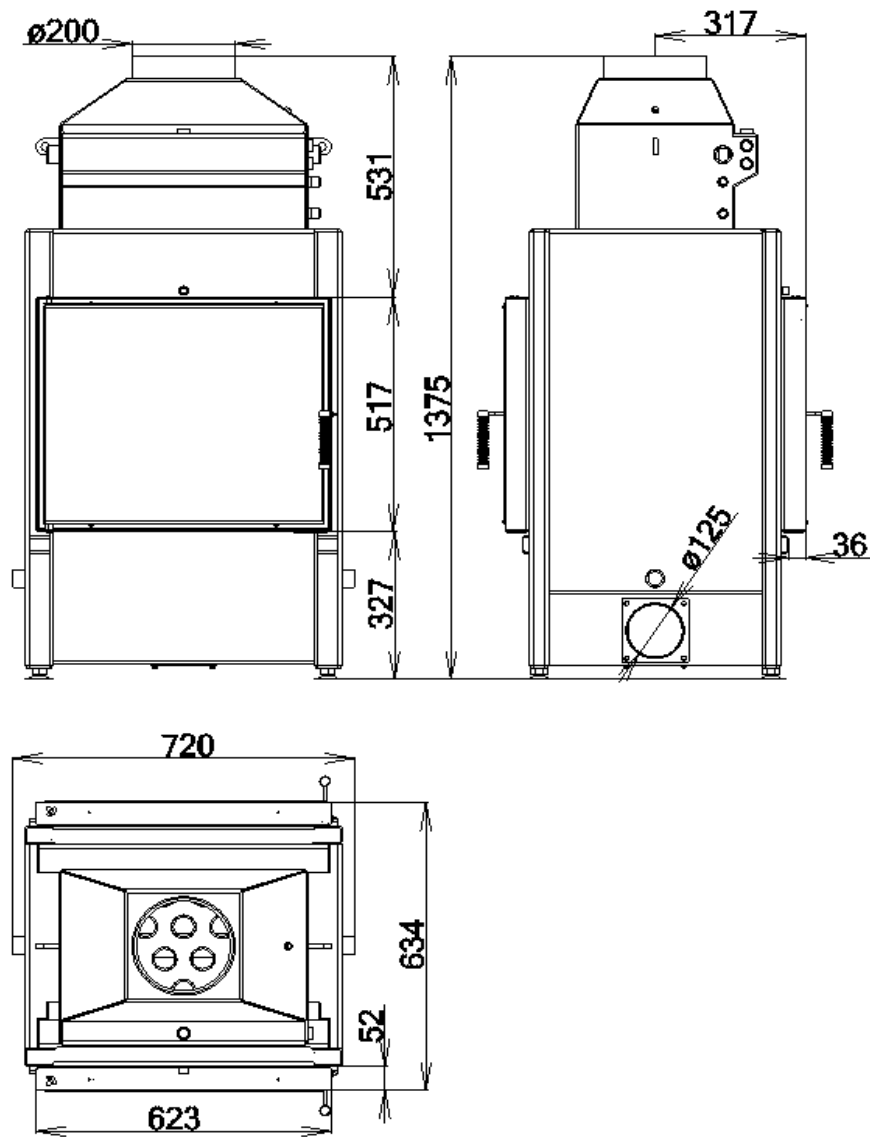


HAKA 63/51WT

hoxter



Tested		EN 13229
Fuel	/cm	wood/ 50
Fuel consumption	kg/hr.	4,4
Nominal output	kW	16,5
Hotwater contribution	kW	10,5
Efficiency	%	88
Flue gas mass flow	g/s	13,5
Average temperature of flue gas	°C	211
Chimney suction	Pa	12
Average intake of external air	mm	125
The required amount of air for combustion	m ³ /hr.	40
Grill area		
Air supply	cm ²	≥300
Air exhaust	cm ²	≥300
Distances		
To the wall	mm	80
To the floor	mm	50
Warm-water heat exchanger		
Max. working pressure	bar	2,5
Min. return water temperature	°C	55
Amount of water	liter	50
The size of inlet / outlet	inch	1"/1"
Standarts		
Germany		BlmSchV- Stufe 2
Austria		15a BVG
Swiss		LRV
Information		
Weight	kg	319
Glassing		double