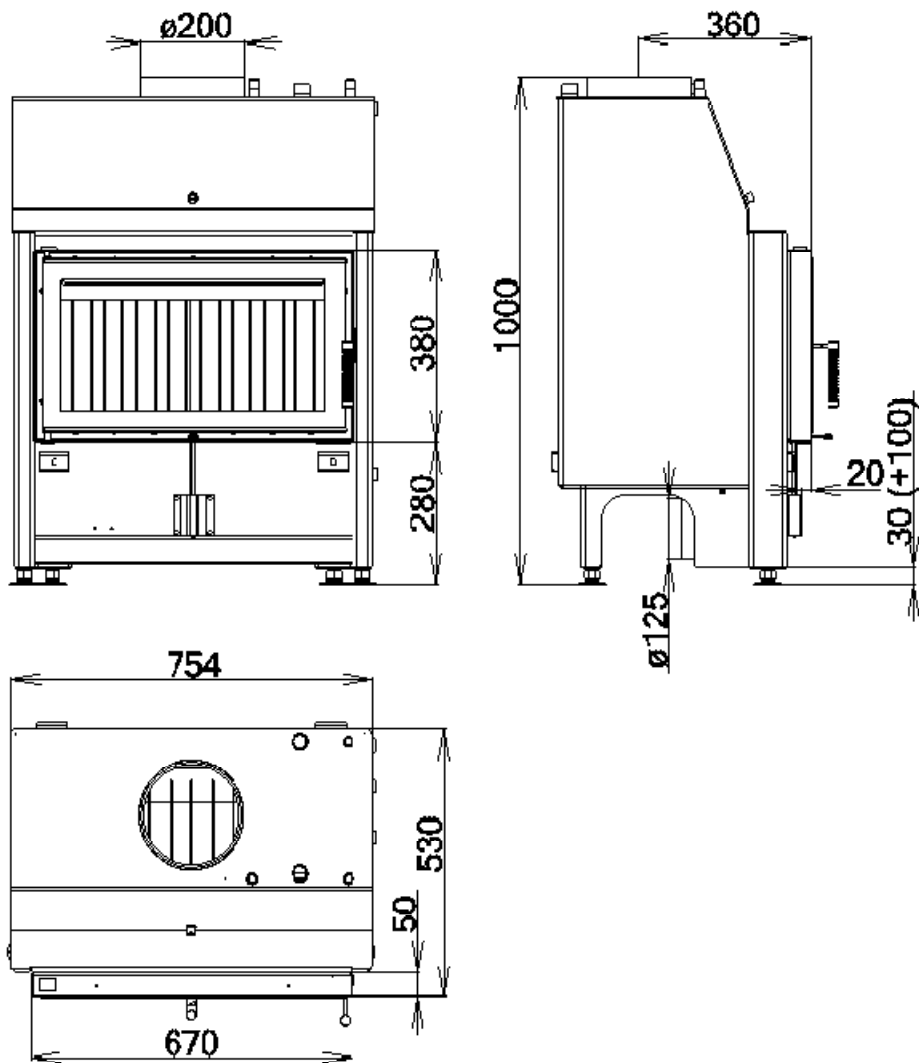


HAKA 67/38W

hoxter



<b>Tested</b>		EN 13229
Fuel	/cm	Wood/ 50
Fuel consumption	kg/hr.	4
Nominal output	kW	14,5
Hotwater contribution	kW	9,5
Efficiency	%	84
Flue gas mass flow	g/s	11,7
Average temperature of flue gas	°C	211
Chimney suction	Pa	12
Average intake of external air	mm	125
The required amount of air for combustion	m <sup>3</sup> /hr.	40
<b>Grill area</b>		
Air supply	cm <sup>2</sup>	≥300
Air exhaust	cm <sup>2</sup>	≥300
<b>Distances</b>		
To the wall	mm	80
To the floor	mm	50
<b>Warm-water heat exchanger</b>		
Max. working pressure	bar	2,5
Min. return water temperature	°C	55
Amount of water	liter	48
The size of inlet / outlet	inch	1"/1"
<b>Standarts</b>		
Germany		BlmSchV- Stufe 2
Austria		15a BVG od 2015
Swiss		LRV
<b>Information</b>		
Weight	kg	260
Glassing		double